

Dismantling Joint(ANSI150)

Code: RPC2.AFE.2



Briefs

- Provides easy installation and disassembly of ANSI flanged equipment;
- Working pressure CL150;
- Maximum temperature -10°C - +70°C;
- Suitable for portable water, neutral liquids and sewage;
- Wras approved;

Standards

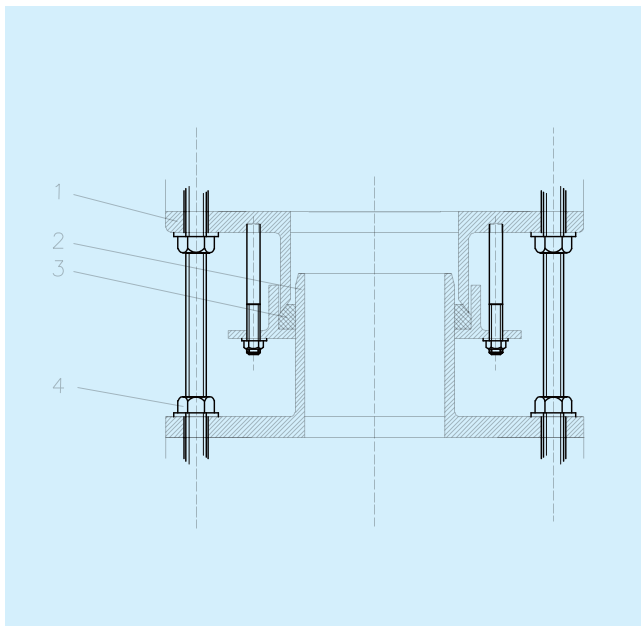
- Design: AWWA C110
- Flange: ANSI B16.5
- Coating: DIN 30677;
- Test: EN12266-1

Features

- Capable of absorbing expansion and contraction of pipeline
- Corrosion resistant construction
- Accommodate angular deflection for pipeline movement or ground settlement.

Options

- A2-70, A4-80 or dacromet coating bolt;
- Various coating;
- Seal: NBR etc.



Assembly Chart

ITEM	DESCRIPTION	MATERIAL	STANDARD
1	FLANGE ADAPTER	EN GJS 400-15	EN1563
2	FLANGED SPIGOT	EN GJS 400-15	EN1563
3	GASKET	EPDM	EN681-1
4	THREADED TIE ROD	GD 4.8	COMMERCIAL

Specifications & Parameters Chart

DN(Nominal)		Flange OD	Nominal Length		Min Length		Max Length		Weight
inch	mm	D(mm)	LN(mm)	LN(inch)	LN(mm)	LN(inch)	LN(mm)	LN(inch)	kg
4"	100	229	203	8	178	7	229	9	16
6"	150	279	213	8.38	187	7.38	238	9.38	25
8"	200	343	213	8.38	187	7.38	238	9.38	33
10"	250	406	267	10.5	241	9.5	292	11.5	49
12"	300	483	267	10.5	241	9.5	292	11.5	61